

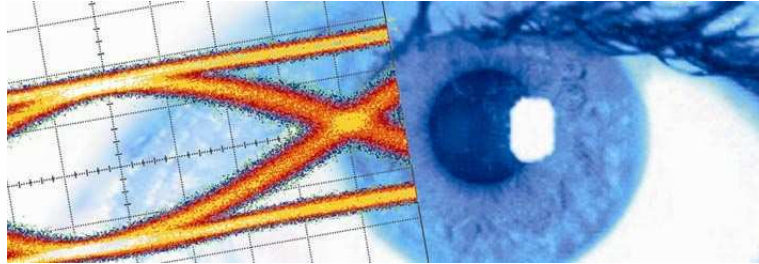


SHF Communication Technologies AG

Wilhelm-von-Siemens-Str. 23D • 12277 Berlin • Germany

Phone ++49 30 / 772 05 10 • Fax ++49 30 / 753 10 78

E-Mail: sales@shf.de • Web: <http://www.shf.de>



Datasheet

SHF AT27

Power Divider

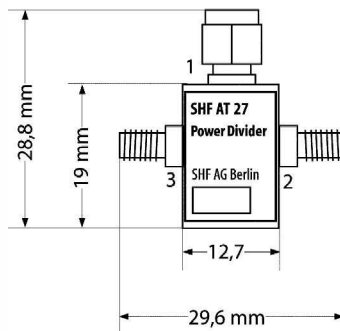




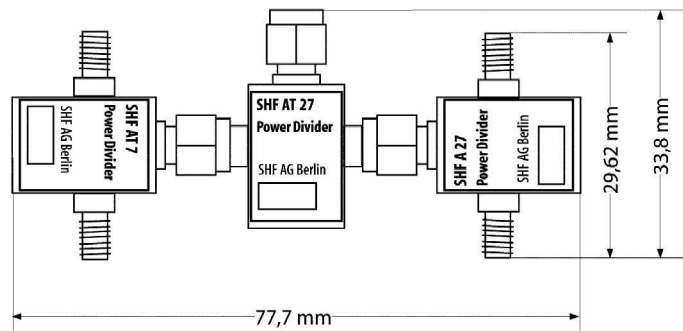
Specifications – SHF AT27

Parameter	Symbol	Unit	Min	Typ.	Max	Conditions
Frequency range	f	GHz	DC		18	
Insertion loss	S_{21}	dB		6		DC, 7.5 dB at 18 GHz (2-way device)
Input return loss	S_{11}	dB			-19 -16.5	<10 GHz <18 GHz
Power handling	P_{max}	W			1	DC
Phase tracking		°		2		between input and either output port
Input impedance	R_L	Ω		50		
Rise time	t_r	ps			16	10...90%
Operating temperature		°C	-55		85	
Input connector						SMA male
Output connectors						SMA female

2 port



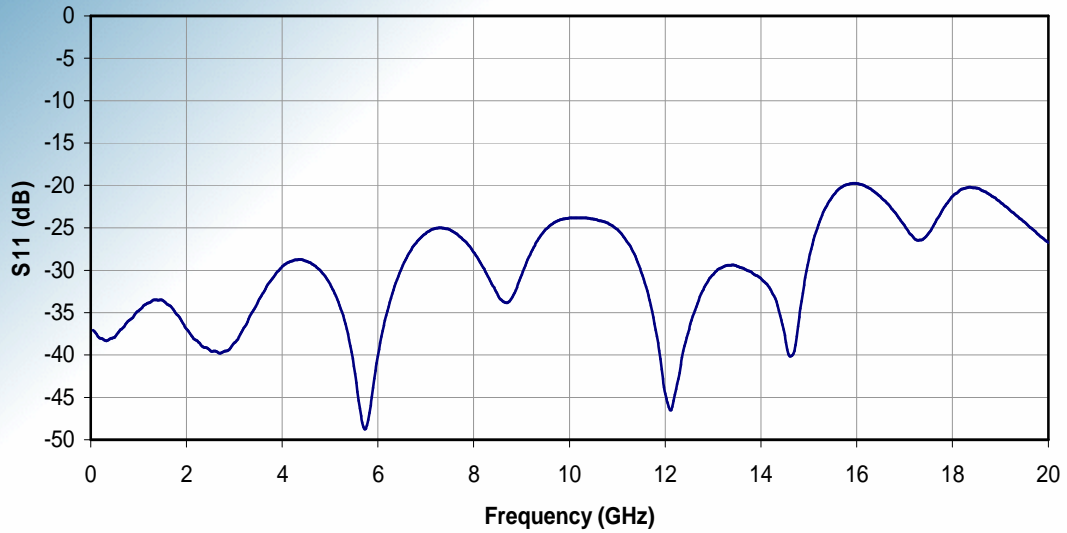
4 port



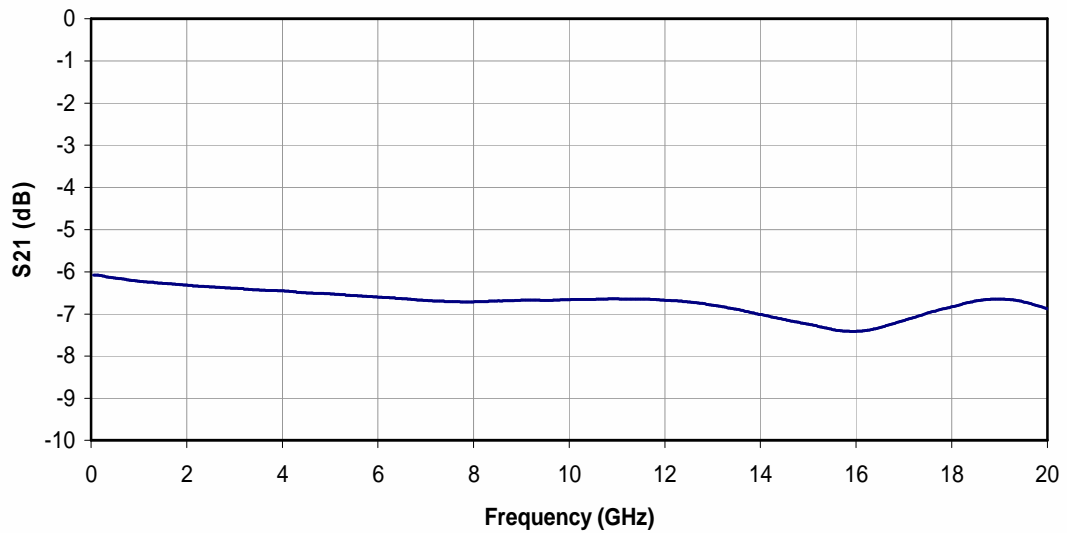
all ports: SMA male / female



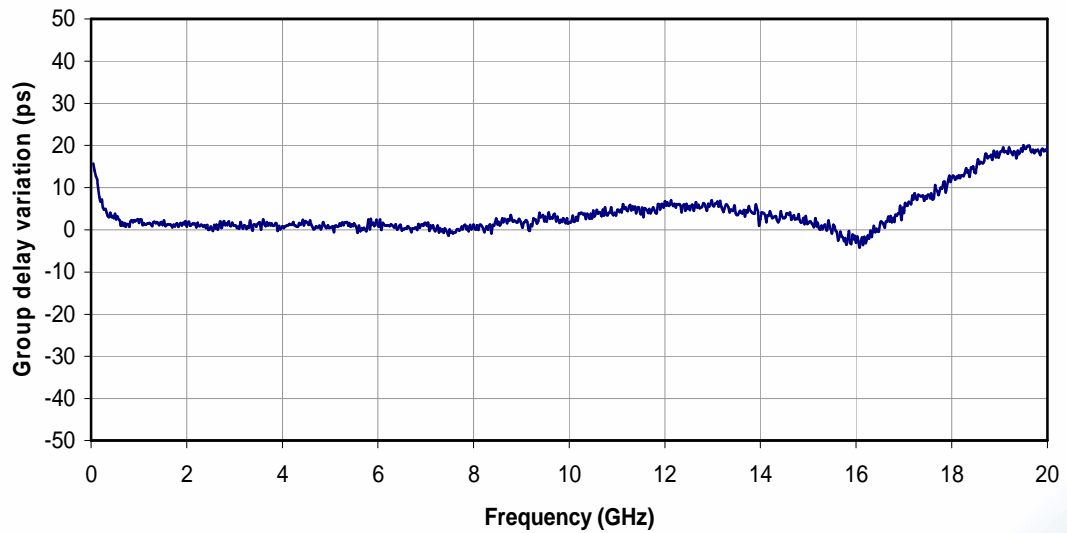
Input Return Loss



Insertion Loss



Group delay



Aperture = 25 MHz